

# MVP™ Sensor Conversion Interface

The MVP™ Sensor Conversion Interface is part of Pyure’s controlled air and surface purification solutions. This sensor conversion interface enables Pyure’s ‘AQ’ sensors to be utilized with Pyure’s MVP™ series controllers. It has provisions to transmit data from up to four ‘AQ’ sensors to an MVP™ system.

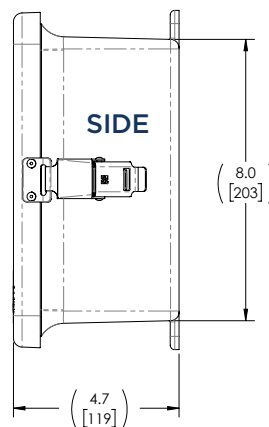
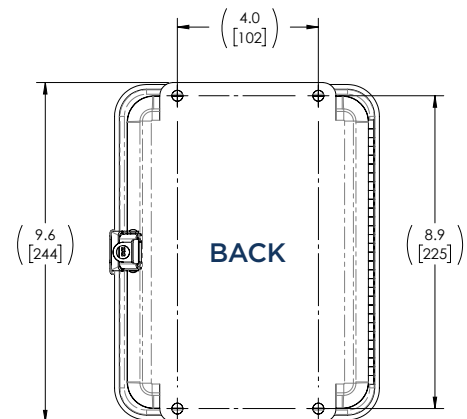
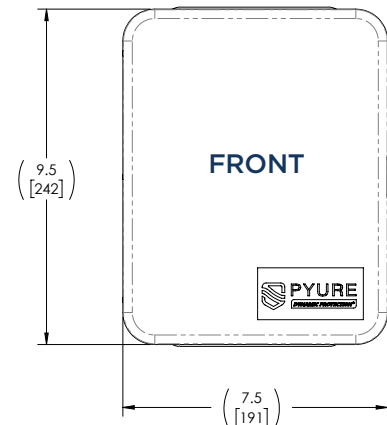
## Specifications

Dimensions of enclosure (LxWxD)	9.5" x 7.5" x 4.7" (242 mm x 191 mm x 119 mm)
Weight	4.3 lbs (2.0 kg)
Shipping Dimensions	10.0" x 9.0" x 6.0" (254 mm x 229 mm x 152 mm)
Shipping Weight	4.9 lbs (2.2 kg)
Voltage	24 VDC
Power	60 Watts (max)
Sensor	Supports up to 4
Temperature Range (Operational)	-40° to 150° F (-40° to 70° C)
Humidity Range (Operational)	5 to 90% RH, non condensing
Certification	Converter: UL 508/CE Enclosure: Plenum Space Rating (UL 2043), IP66
Warranty	2 years covering defects in workmanship or materials, but excluding consumables

## Product Number

00819355021185	MVP™ Sensor Conversion Interface [MVPXX56]
----------------	--

Dimensions of enclosure and mounting holes.



sales@pyure.com  
1.877.735.3701 | pyure.com